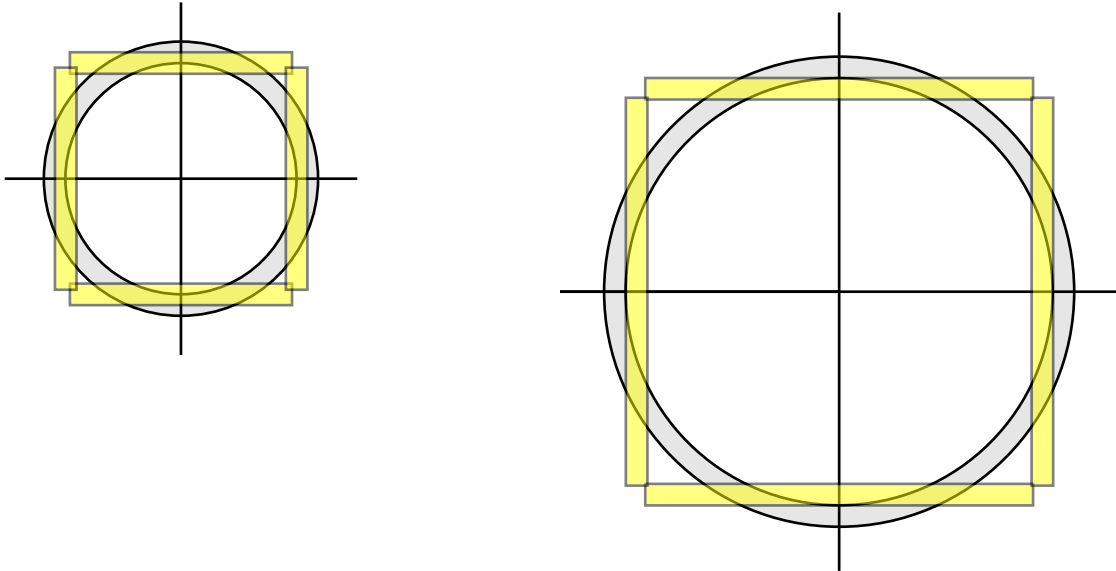


Neither LDT nor IES files support the ring shape of the Super-Oh Slim, the light planner has to build up the lumininaire out of rectangular pieces to get the desired result in his calculation. Clients, who use Relux do not need any build up because the geometry is constructed by the Relux plug-in.

How to build up the Super-Oh Slim:



For Dialux, you need to import a single LDT file (rectangular segment) and place it in a Circle Arrangement:

- for the SUPER-OH! SLIM 80 SBL : 4 segments in a diameter of 691mm
- for the SUPER-OH! SLIM 120 SBL : 4 segments in a diameter of 1047mm

